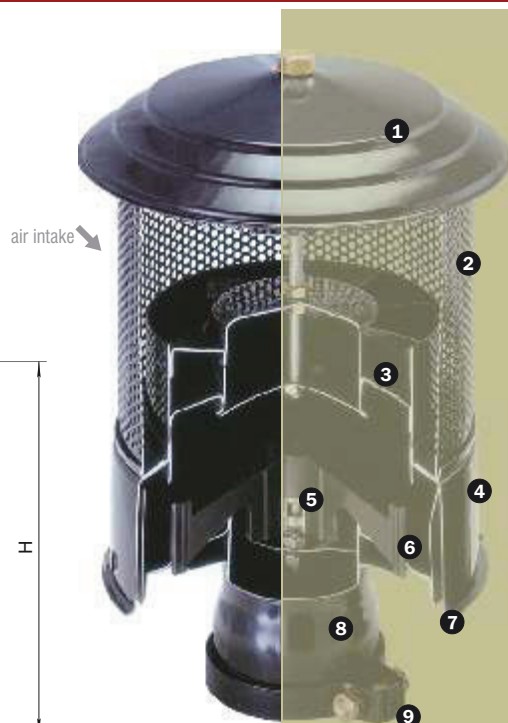
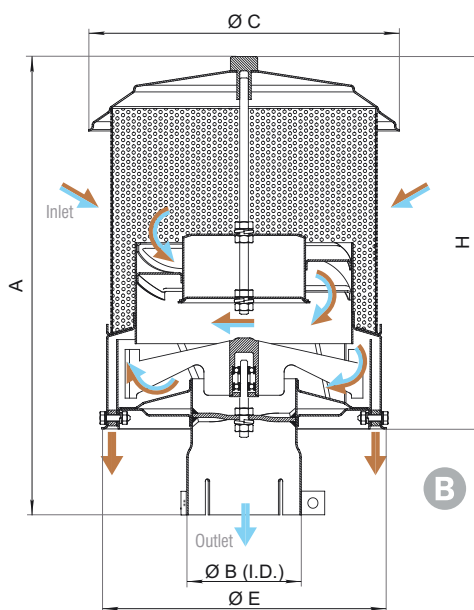
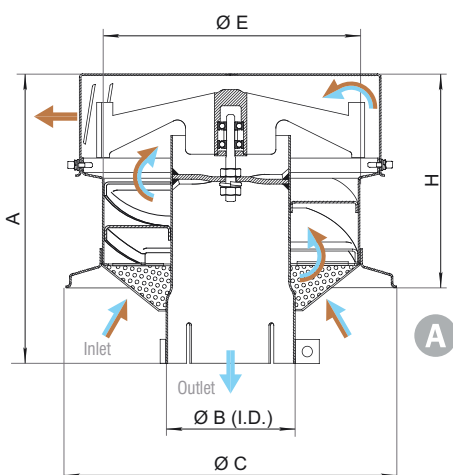


**Externally Mounted Dynamic Engine Air Precleaners
 For Agriculture, Earth Moving Machinery and
 Stationary Applications**



- 1 Cap
- 2 Screen
- 3 Static Vanes
- 4 Housing
- 5 Two Ball Bearings
- 6 Rotor (spinner)
- 7 Discharge Ports
- 8 Outlet Pipe (to air cleaner)
- 9 Clamp

Impure air.
 Clean air.
 Impurities.

MODEL	Airflow Range	Horsepower Range	Weight	Dimensions				
				A	H	ØC	ØE	ØB (Outlet Size)
CH 083	1.5 a 3.5 m ³ /min (53 a 124 CFM)	30 a 60 HP (22 a 45 KW)	1.55 kg (3.40 lbs)	195 mm (7.68")	150 mm (5.91")	188 mm (7.40")	145 mm (5.71")	76 mm (3")
MO 414	3.5 a 7.0 m ³ /min (124 a 247 CFM)	60 a 120 HP (45 a 90 KW)	2.85 kg (6.30 lbs)	348 mm (13.7")	264 mm (10.39")	221 mm (8.70")	199 mm (7.83")	102; 82; 76; 70 mm (4; 3.25; 3; 2.75")
MO 818	7.0 a 11.0 m ³ /min (247 a 388 CFM)	120 a 160 HP (90 a 120 KW)	3.55 kg (7.80 lbs)	355 mm (13.98")	281 mm (11.06")	275 mm (10.83")	243 mm (9.57")	133; 114; 110; 102; 82 mm (5.25; 4.5; 4.33; 4; 3.25")
MO 919	11.0 a 15.0 m ³ /min (388 a 530 CFM)	160 a 220 HP (120 a 165 KW)	4.60 kg (10.10 lbs)	371 mm (14.61")	293 mm (11.54")	316 mm (12.44")	276 mm (10.87")	152; 133; 127; 114; 102 mm (6; 5.25; 5; 4.5; 4")
GR 183	15.0 a 22.0 m ³ /min (530 a 776 CFM)	220 a 300 HP (165 a 225 KW)	5.80 kg (12.75 lbs)	410 mm (16.14")	330 mm (12.99")	352 mm (13.86")	311 mm (12.24")	178; 152; 133; 114; 102 mm (7; 6; 5.25; 4.5; 4")
GR 400	22.0 a 30.0 m ³ /min (776 a 1059 CFM)	300 a 400 HP (225 a 300 KW)	7.50 kg (16.50 lbs)	470 mm (18.50")	380 mm (14.96")	424 mm (16.69")	370 mm (14.57")	203; 178; 152 mm (8; 7; 6")
GR 500	30.0 a 40.0 m ³ /min (1059 a 1411 CFM)	400 a 550 HP (298 a 410 KW)	9.50 kg (20.90 lbs)	490 mm (19.29")	400 mm (15.75")	495 mm (19.49")	445 mm (17.52")	254; 203; 178 mm (10; 8; 7")



Notes: 1) In normally aspirated engines the model selection by horsepower range is just a recommendation. 2) In turbocharged or turbo-aftercooled engines the correct model selection is based on the maximum air flow. 3) For particular applications you have a complete line of installation accessories. 4) The diameters ØB (Outlet Size) are the standard inside diameters. From these the outlet tube can be adapted with reducing sleeves for a variety of smaller outlet choices. These sleeves are provided from Ø 7" to Ø 2.5" generally in ¼" or ½" steps

Externally Mounted Dynamic Engine Air Precleaners For Agriculture, Earth Moving Machinery and Stationary Applications



PRODUCTS

These Air Precleaners consist of a steel housing with static vanes and a rust-proof rotor mounted on dual ball bearings over double-welded plate steel. The perforated metal pre-screen at the inlet is standard.

The outlet tube can be adapted with the supplied reducing sleeves for a variety of outlet choices. DUSTBUSTER Engine Air Precleaners are powder coated for a durable, corrosion resistant finish. Air flows range from 53 to 1411 CFM (1.5 to 40.0 m³/min.). Complete specifications are provided on the previous page.

HOW THEY WORK

DUSTBUSTER Engine Air Precleaners are usually installed in place of the rain cap, dust bowl, or aspirated pre-cleaner (exhaust system). In some applications, they can be mounted directly to the air cleaner.

Air enters the system through a pre-screen that removes large debris. It then flows through static vanes causing the air to spin. As the air spins, centrifugal force separates dust, dirt, insects, rain and snow from the air stream. The swirling air drives a high velocity rotor that acts as a blower evacuating contaminants through special discharge ports at the bottom or in the side of the unit. Only purified air flows to the air filter elements.

FEATURES AND BENEFITS

- Remove up to 90 % of impurities from intake air before the air enters the filter elements.
- Extend engine air filter life up to 10 times.
- Reduce down time by up to 50%.
- Prolong engine and turbocharger life.
- Save up to 10 % on fuel costs.
- Easy to install. Three plastic outlet reduction sleeves are provided with each assembly.
- Wide range of applications and flow rates.
- Steel housing, powder coat.
- High air flow, low differential design.
- The pre-cleaners are self-powered and self-cleaning, requiring no electrical or exhaust gas power to dispose of separated particles. They require virtually no maintenance and should be inspected occasionally to insure that no foreign material has plugged intake or exhaust port areas.

APPLICATIONS

DUSTBUSTER Engine Air Precleaners are designed to be mounted on or connected to the air filter intake of a gasoline, diesel or compressed natural gas engine air cleaner.

Their applications include all slow-moving and industrial equipment such as agricultural machinery; earth moving, construction and mining equipment; pumping plants; generator sets; material handling equipment; snow removal equipment and street sweepers.

